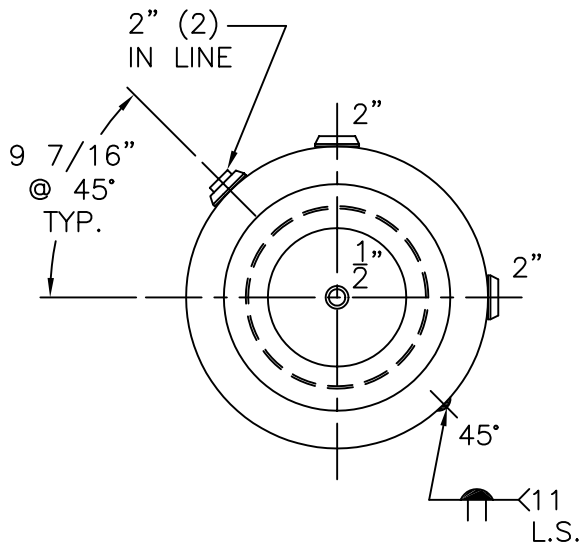
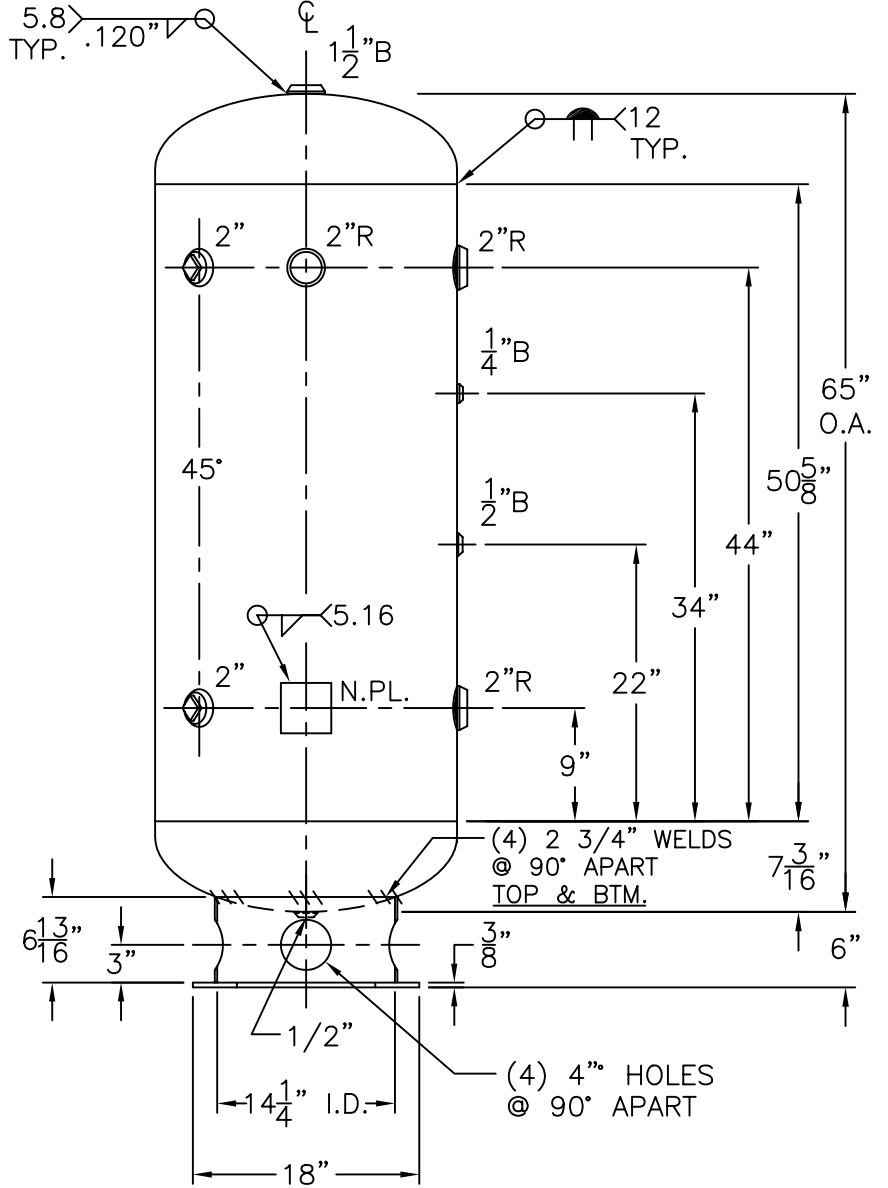


2"R W/ C.I. PLUG FOR INSPECTION OPENINGS
(2) PLC'S.



NOTE: 1) HYDRO @ 390 PSIG. MIN.

SHELL / HEADS	
.187" SA-455	2.1: S.E.
(.168" MIN.) JOGGLE	
.200" SA-455	
M.A.W.P. 300 PSIG. @ 400 °F	
M.D.M.T. -20 °F @ 300 PSIG.	
ASME: SECTION VIII DIV. 1, 2001 ADD 2002	
X-RAY: RT-4 SPOT L.S. & G.S.	
GALLONS: 120	WT. 349 LBS.
SERIAL NO.	
N.B.	

24-VD-120-F	REV. 10-3-03
FOR: HANSON STANDARD	DATE: 4-25-89
VERT. AIR TANK	
INSIDE: UNPAINTED	
OUTSIDE: PRIME	
BY: E.S.	SCALE: 3/4"=12"
ROY F. HANSON JR. MFG.	
1924 COMPTON AVE.	
LOS ANGELES, CA 90011	