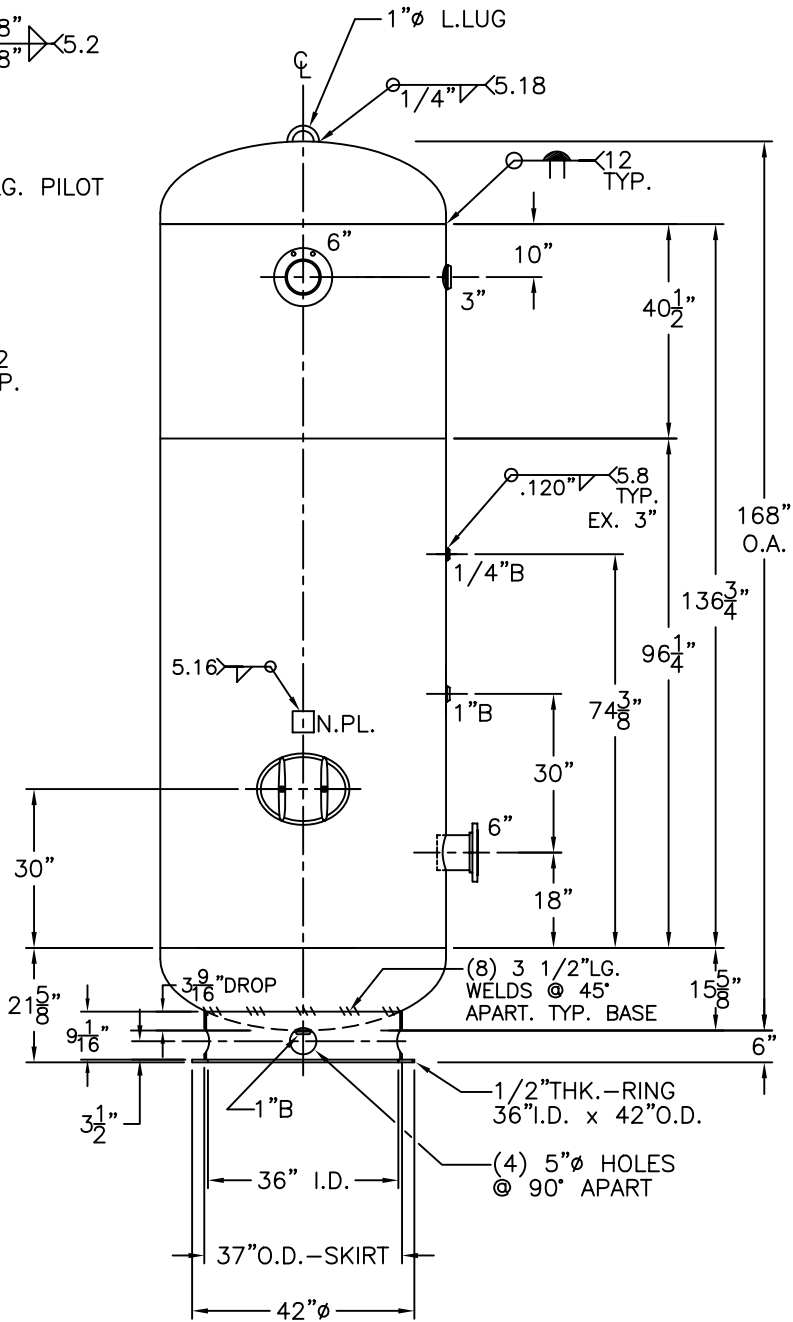
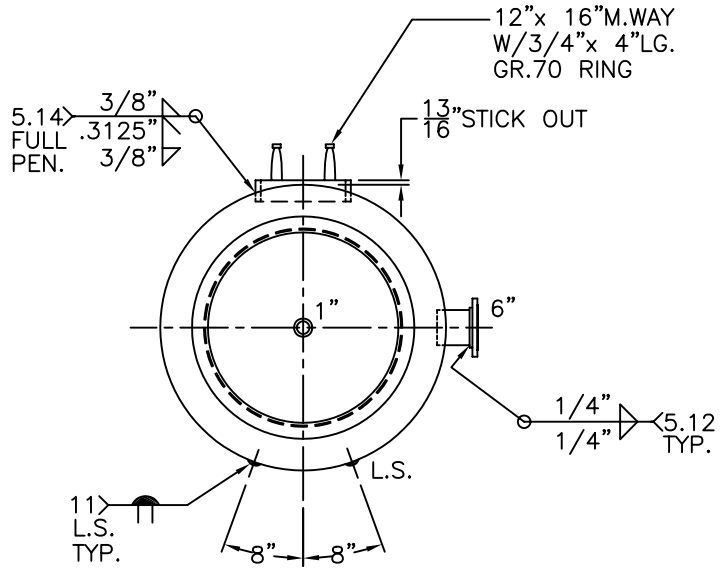


6" - 150# R.F.S.O.  
 FLG. W/SCH 80  
 PIPE x 7 5/8" LG.  
 (2) PLC'S



NOTE: 1) HYDRO @ 260 PSIG. MIN.

SHELL / HEADS	
.3125" SA-455	2:1 S.E.
(.294" MIN.)	
.3125" SA-455	
M.A.W.P.	200 PSIG. @ 400 °F
M.D.M.T.	-20 °F @ 200 PSIG.
ASME SECTION VIII	DIV. 1, 2001 ADD 2002
X-RAY: RT-4 SPOT L.S.	NOT G.S.
GALLONS: 1550	WT. 3023 LBS.
SERIAL NO.	
N.B.	



54-VA-1550-F	REV. 12-19-02
FOR: HANSON STANDARD	DATE: 1-12-80
VERT. AIR TANK	
INSIDE: UNPAINTED	
OUTSIDE: PRIME	
CAD "B" SIZE UNDER "STD"-SERIES	
BY: J.G.	SCALE: 1/2" = 12"
<b>ROY E. HANSON JR. MFG.</b>	
1924 COMPTON AVE.	
LOS ANGELES, CA 90011	