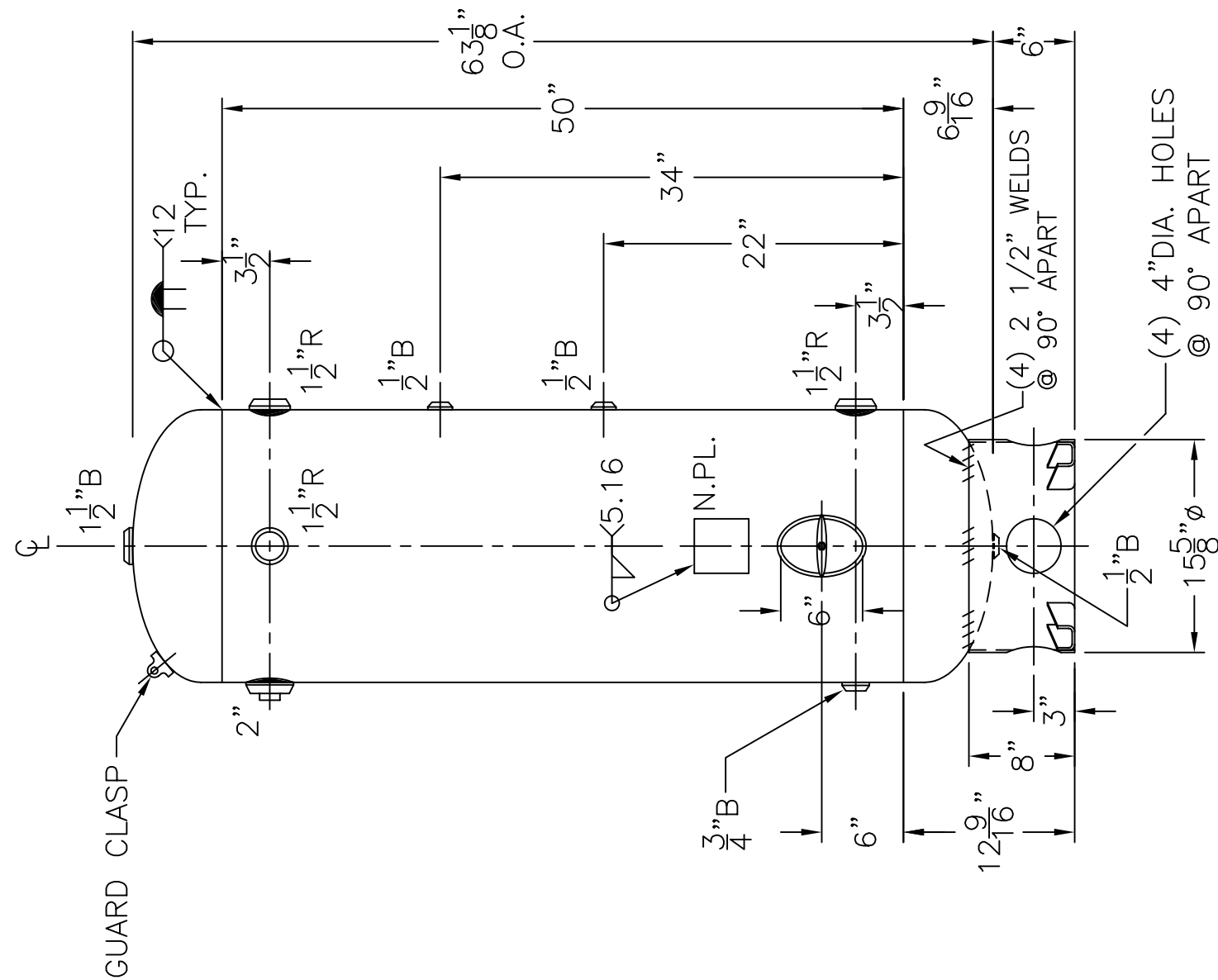
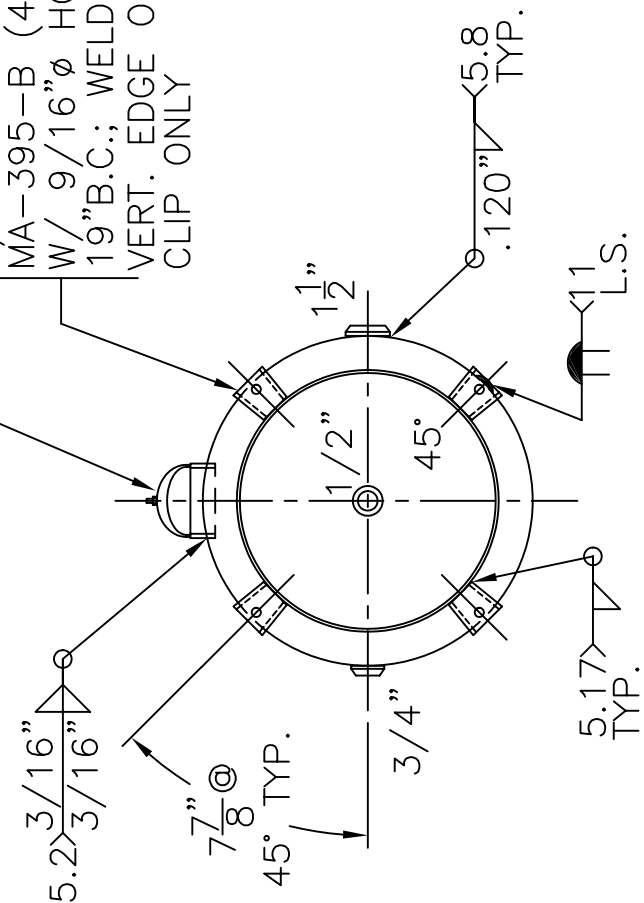


2" R W/ C.I. PLUG
INSP. OPENING
(PLUG AFTER GALVANIZING)



4" x 6" H.HOLE
W/.258" x 1 1/2" LG.
GR. 70 RING

3/16" THK. CLIPS PER
MA-395-B (4) PLC'S
W/ 9/16" Ø HOLE ON
19" B.C.; WELD OUTSIDE
VERT. EDGE OF
CLIP ONLY



NOTE: 1) HYDRO @ 260 PSIG. MIN.

HEADS	.140" SA-414-G 2.1:1 S.E.	I-20-VA-80-R	REV. 6-11-03	
	JOGGLE		DATE: 3-7-88	
SHELL	.165" SA-414-G	FOR: HANSON STANDARD VERT. AIR TANK		
		INSIDE: GALVANIZED		
M.A.W.P.	200 PSIG. @ 300 °F	OUTSIDE: GALVANIZED		
M.D.M.T.	-20 °F @ 200 PSIG.	CAD "B" SIZE UNDER "STD"-SERIES		
ASME. SECTION	VIII DIV. 1, 2001 ADD 2002	BY: J.G.	SCALE: 1"=12"	
X-RAY:	RT-NO	ROY E. HANSON JR. MFG. 1924 COMPTON AVE. LOS ANGELES, CA 90011		
GALLONS:	80			WT. 236 LBS.
SERIAL NO.				
N.B.				