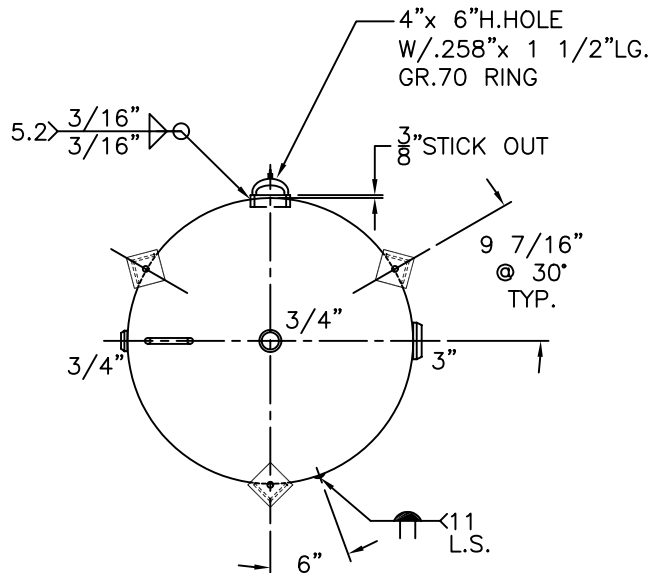


(3) 2 1/2" x 2 1/2" x 3/16" THK.
x 23 11/16" LG. ANGLE LEGS

(3) 4" x 4" x 1/4" THK.
PADS W/ 3/4" ϕ HOLES



NOTE: 1) HYDRO @ 179 PSIG. MIN.

SHELL / HEADS		.182" SA-455 2:1 S.E.	
M.A.W.P.		137 PSIG. @ 300 °F	
M.D.M.T.		-20 °F @ 137 PSIG.	
ASME SECTION VIII		DIV. 1, 2001 ADD. 2002	
X-RAY:		RT-NO	
GALLONS:		300	
SERIAL NO.		WT. 529 LBS.	
N.B.			
FOR: HANSON STANDARD		I-36-VQ-300-L	
VERT. AIR TANK		DATE: 5-24-90	
INSIDE: GALVANIZED		REV. 6-16-03	
OUTSIDE: GALVANIZED		FOR: HANSON STANDARD	
CAD-"B" SIZE UNDER "STD"-SERIES		VERT. AIR TANK	
BY: J.G.		SCALE: 3/4" = 12"	
ROY E. HANSON JR. MFG.		INSIDE: GALVANIZED	
1924 COMPTON AVE.		OUTSIDE: GALVANIZED	
LOS ANGELES, CA 90011		CAD-"B" SIZE UNDER "STD"-SERIES	