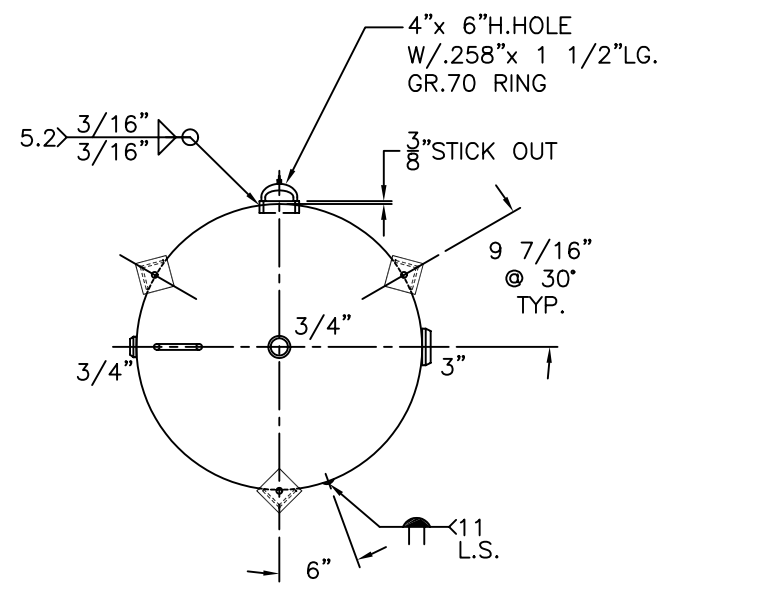


(3) 2 1/2" x 2 1/2" x 3/16" THK. x 23 11/16" LG. ANGLE LEGS  
 (3) 4" x 4" x 1/4" THK. PADS W/ 3/4" Ø HOLES



NOTE: 1) HYDRO @ 179 PSIG. MIN.

SHELL / HEADS	.182" SA-455 2:1 S.E.
JOGGLE	
M.A.W.P.	137 PSIG. @ 300 °F
M.D.M.T.	-20 °F @ 137 PSIG.
ASME SECTION VIII	DIV. 1, 2001 ADD. 2002
X-RAY:	RT-NO
GALLONS:	400
SERIAL NO.	WT. 670 LBS.
N.B.	

1-36-VQ-400-L	REV. 6-16-03
FOR: HANSON STANDARD	DATE: 8-24-84
VERT. AIR TANK	
INSIDE: GALVANIZED	
OUTSIDE: GALVANIZED	
CAD-"B" SIZE UNDER "STD"-SERIES	
LEG. ZONE: 4-15 KM.	
BY: J.G.	SCALE: 3/4" = 12"
<b>ROY E. HANSON JR. MFG.</b>	
1924 COMPTON AVE.	
LOS ANGELES, CA 90011	