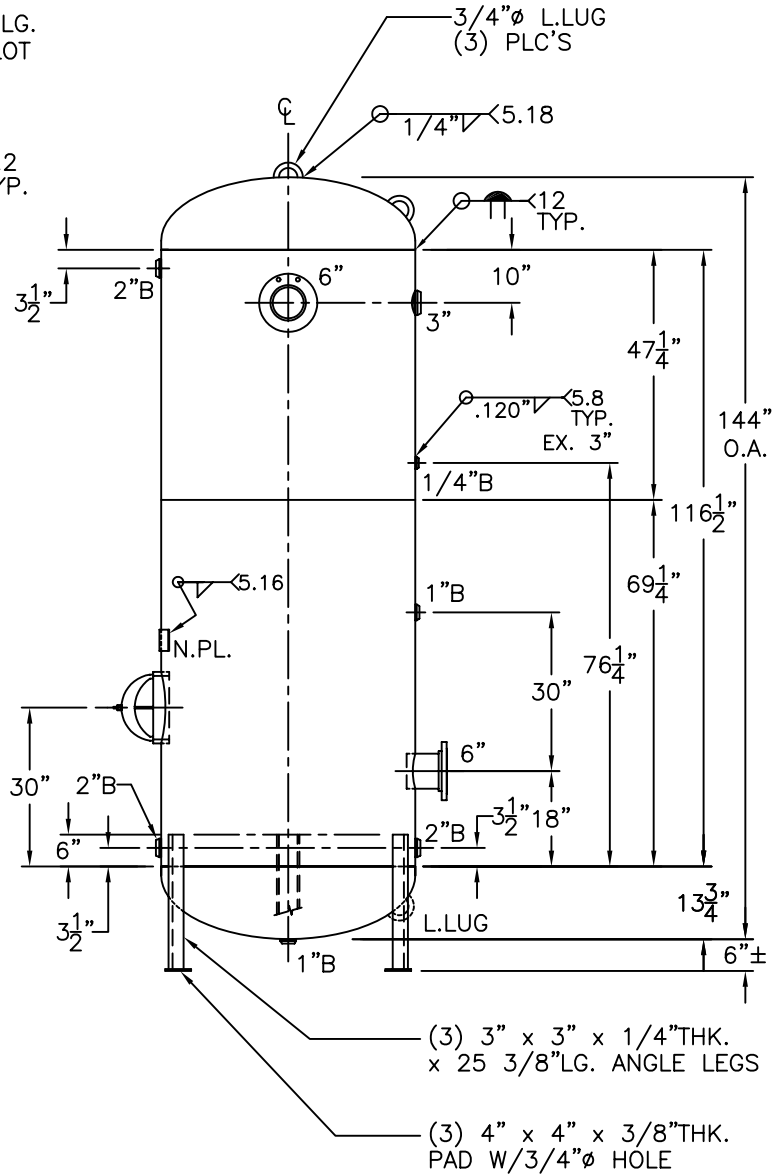
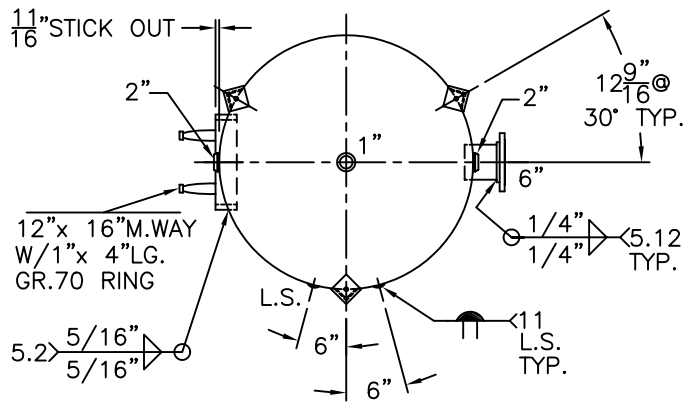


6"-150# R.F.S.O.
 FLG. W/SCH 80
 PIPE x 7 5/8" LG.
 (2) PLC'S



NOTE: 1) HYDRO @ 260 PSIG. MIN.

SHELL / HEADS	
.245" SA-455 2:1 S.E.	(.223" MIN.) JOGGLE
.288" SA-455	
M.A.W.P. 200 PSIG. @ 300 °F	
M.D.M.T. -20 °F @ 200 PSIG.	
ASME SECTION VIII DIV. 1, 2001	
X-RAY: RT-4 SPOT L.S. & HDS. G.S.	
GALLONS: 1060	WT. 2297 LBS.
SERIAL NO.	
N.B.	



INSIDE: GALVANIZED	OUTSIDE: GALVANIZED
BY: J.G.	SCALE: 1/2" = 12"
ROY E. HANSON JR. MFG.	
1924 COMPTON AVE. LOS ANGELES, CA 90011	
FOR: HANSON STANDARD	DATE: 7-26-96
VERT. AIR TANK	REV. 2-11-02
	1-48-VA-1060-L