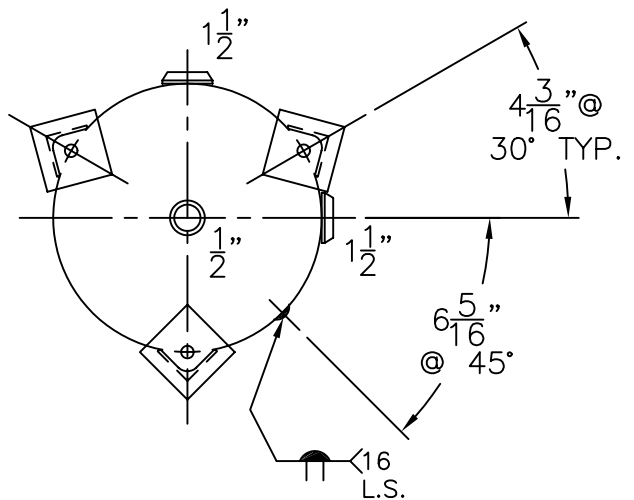


(3) $2\frac{1}{2}$ " x $2\frac{1}{2}$ " x $\frac{3}{16}$ " THK.
x $13\frac{5}{16}$ " LG. ANGLE LEGS

(3) 4" x 4" x $\frac{1}{4}$ " THK.
PAD W/ $\frac{3}{4}$ " ϕ HOLE



NOTE: 1) HYDRO @ 326 PSIG. MIN.

SHELL / HEADS	
.135" SA-414-G	2:1 S.E.
JOGGLE	
.135" SA-414-G	
M.A.W.P.	250 PSIG. @ 400 °F
M.D.M.T.	-20 °F @ 250 PSIG.
ASME. SECTION VIII	DIV. 1, 2004 ADD 2006
X-RAY:	RT-NO
GALLONS:	30
WT.	98 LBS.
SERIAL NO.	
N.B. NO.	

16-VC-30-L	REV. 12-15-06
FOR: HANSON STANDARD	DATE: 12-27-84
VERT. AIR TANK	
INSIDE: UNPAINTED	
OUTSIDE: PRIME	
LEG-ZONE 4-15 KM.	
BY: E.S.	SCALE: 1"=12"
ROY E. HANSON JR. MFG.	
1600 E. WASHINGTON BLVD.	
LOS ANGELES, CA 90021	