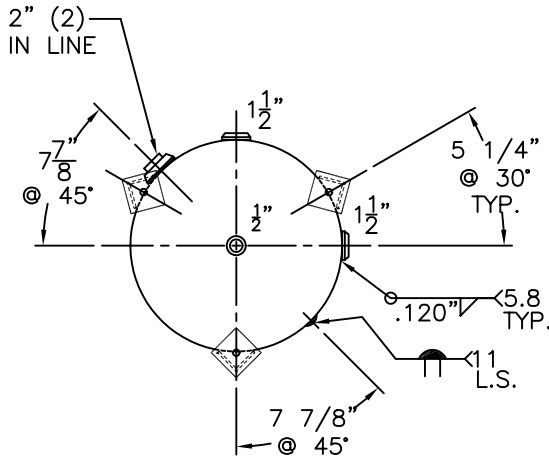


(3) 2 1/2" x 2 1/2" x 3/16" THK.
x 18" LG. ANGLE LEGS

(3) 4" x 4" x 1/4" THK.
PADS W/ 3/4" Ø HOLES



NOTE: 1) HYDRO @ 326 PSIG. MIN.

SHELL / HEADS	
.135" SA-414-G	2:1 S.E.
JOGGLE	
.166" SA-414-G	
M.A.W.P.	250 PSIG. @ 400 °F
M.D.M.T.	-20 °F @ 250 PSIG.
ASME SECTION VIII	DIV. 1, 2004 ADD 2004
X-RAY: RT-4 SPOT G.S.	ONLY NOT L.S.
GALLONS: 80	WT. 219 LBS.
SERIAL NO.	
N.B.	
20-VC-80-L	REV. 4-28-05
FOR: HANSON STANDARD	DATE: 1-20-03
VERT. AIR TANK	
INSIDE: UNPAINTED	
OUTSIDE: PRIME	
CAD "B" SIZE UNDER "STD"-SERIES	
LEG ZONE: 4-15KM.	
BY: J.G.	SCALE: 1"=12"
ROY E. HANSON JR. MFG.	
1924 COMPTON AVE.	
LOS ANGELES, CA 90011	