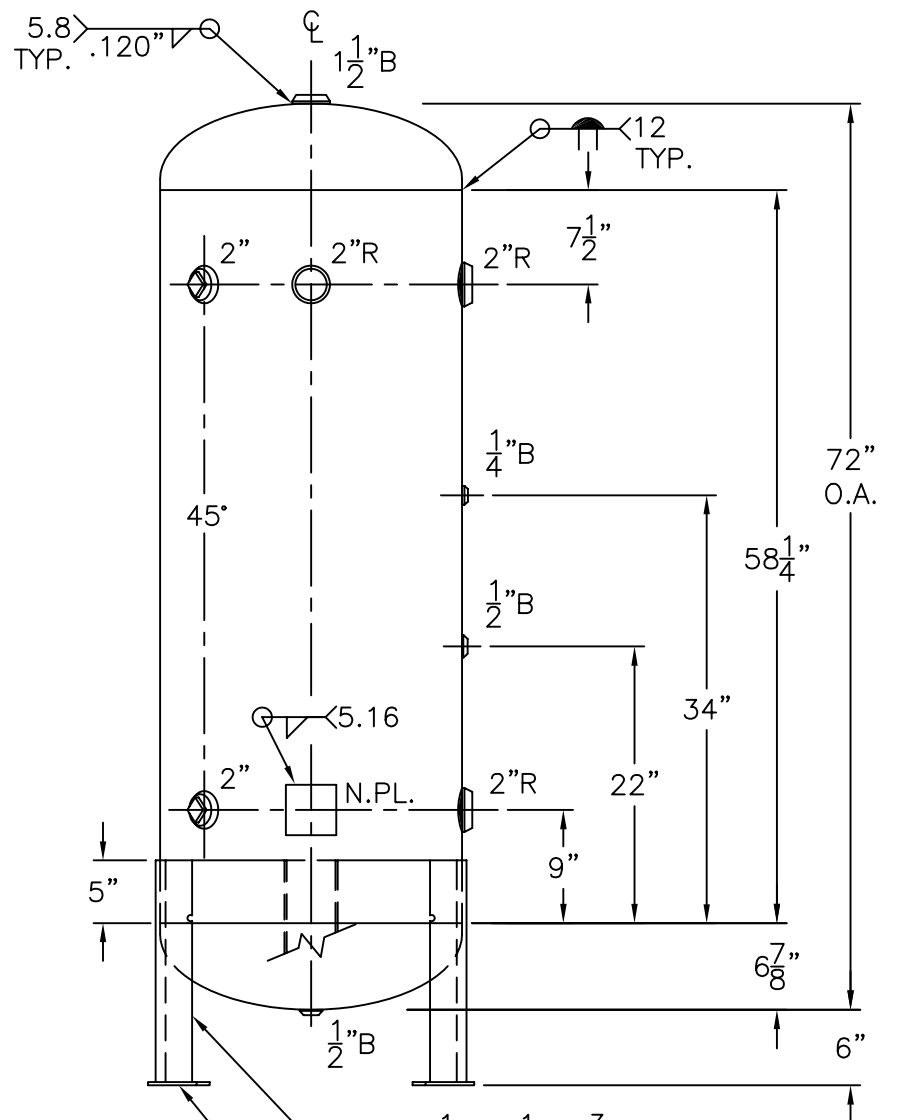
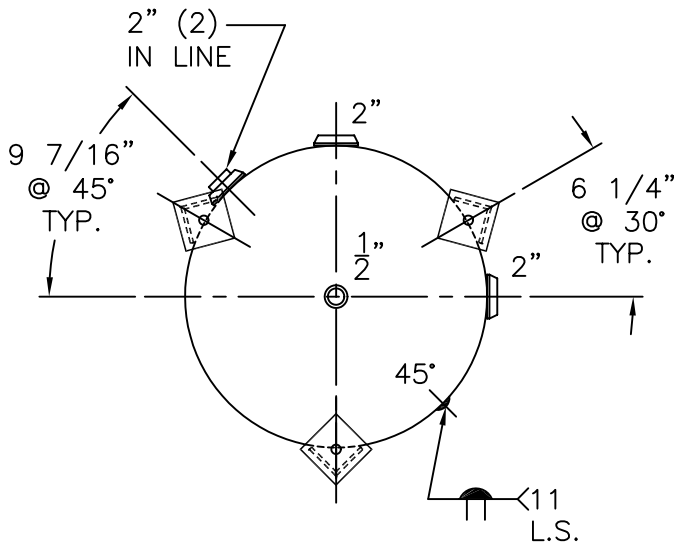


2"R W/ C.I. PLUG FOR INSPECTION OPENINGS (2) PLC'S.



(3) 2 1/2" x 2 1/2" x 3/16" THK. x 17 5/8" LG. ANGLE LEG
 (3) 4" x 4" x 1/4" THK. PAD W/ 3/4" Ø HOLE



NOTE: 1) HYDRO @ 390 PSIG. MIN.

SHELL / HEADS	.200" SA-455	2.1: S.E.
	(.195" MIN.) JOGGLE	
M.A.W.P.	300 PSIG.	@ 400 °F
M.D.M.T.	-20 °F @	300 PSIG.
ASME: SECTION VIII	DIV. 1, 2001 ADD 2002	
X-RAY:	RT-4 SPOT L.S. ONLY	
GALLONS:	130	WT. 373 LBS.
SERIAL NO.		
N.B.		

24-VD-130-1	REV. 7-24-03
FOR: HANSON STANDARD	DATE: 11-28-86
VERT. AIR TANK	
INSIDE: UNPAINTED	
OUTSIDE: PRIME	
LEG-ZONE 4-15 KM.	
BY: E.S.	SCALE: 3/4"=12"
ROY F. HANSON JR. MFG.	
1924 COMPTON AVE.	
LOS ANGELES, CA 90011	