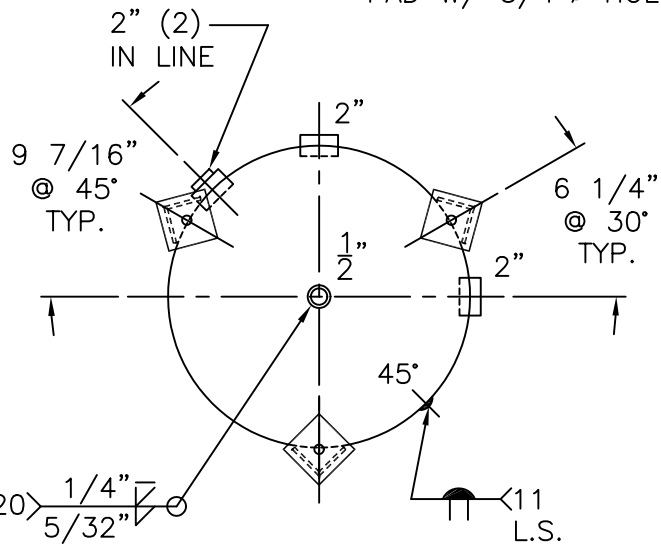


(3) 2 1/2" x 2 1/2" x 3/16" THK.
x 19" LG. ANGLE LEG

(3) 4" x 4" x 1/4" THK.
PAD W/ 3/4" Ø HOLE



NOTE: 1) HYDRO @ 715 PSIG. MIN.
2) WELDS TO, OR JOINING SA-612 HAVE W.P.S. W/SUFFIX "B"

| | | | |
|-------------------------------|-----------------------|------------------------|--|
| SHELL / HEADS | | .432" SA-612 2.1: S.E. | |
| .375" SA-455 | | | |
| M.A.W.P. | 550 PSIG. @ | 400 °F | |
| M.D.M.T. | -13 °F @ | 550 PSIG. | |
| ASME: SECTION VIII | DIV. 1, 2001 ADD 2002 | | |
| X-RAY: RT-4 SPOT L.S. ONLY | | | |
| GALLONS: 130 | WT. 712 LBS. | | |
| SERIAL NO. | | | |
| N.B. | | | |
| INSIDE: UNPAINTED | | 24-VK-130-L | |
| OUTSIDE: PRIME | | REV. 9-24-03 | |
| LEG-ZONE 4-15 KM. | | DATE: 4-14-99 | |
| BY: J.G. | | FOR: HANSON STANDARD | |
| SCALE: 3/4"=12" | | VERT. AIR TANK | |
| ROY F. HANSON JR. MFG. | | | |
| 1924 COMPTON AVE. | | | |
| LOS ANGELES, CA 90011 | | | |