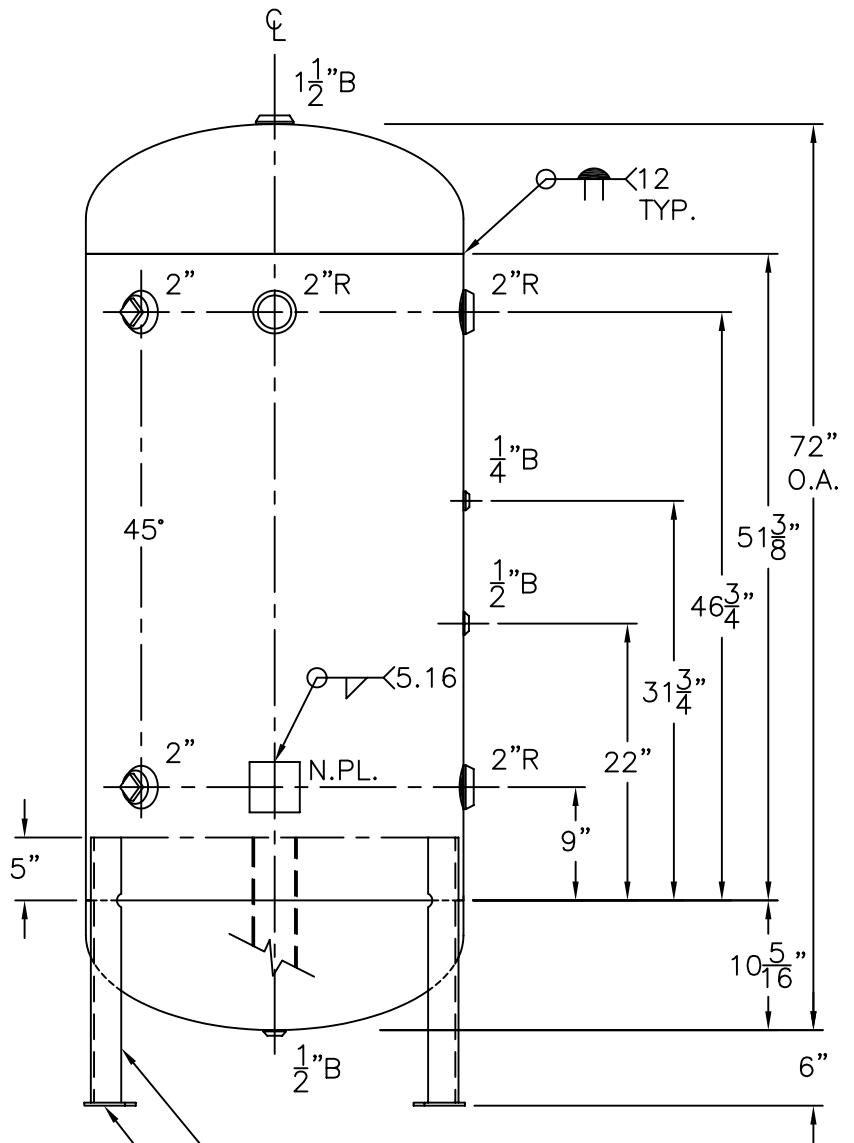
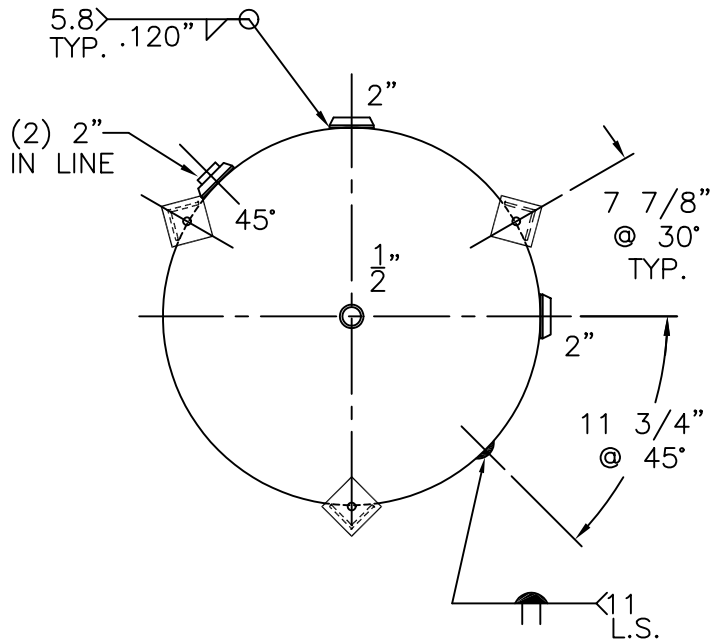


2"R W/ C.I. PLUG
INSP. OPENING
(2) PLC'S.



(3) 2 1/2" x 2 1/2" x 3/16" THK.
x 21 1/16" LG. ANGLE LEGS

(3) 4" x 4" x 1/4" THK.
PADS W/ 3/4" Ø HOLES



NOTE: 1) HYDRO @ 260 PSIG. MIN.

SHELL / HEADS	.166" SA-414-G 2:1 S.E. (.164" MIN.) JOGGLE GREEN STRIPE
M.A.W.P.	200 PSIG. @ 400 °F
M.D.M.T.	-20 °F @ 200 PSIG.
ASME SECTION VIII	DIV. 1, 2001 ADD 2003
X-RAY:	RT-4 SPOT L.S.
GALLONS:	200
SERIAL NO.	WT. 401 LBS.
N.B.	

30-VA-200-1	REV. 2-5-04
FOR: HANSON STANDARD	DATE: 6-17-83
VERT. AIR TANK	
INSIDE: UNPAINTED	
OUTSIDE: PRIME	
BY: E.S.	LEG-ZONE 4-15 KM.
SCALE: 3/4"=12"	
ROY F. HANSON JR. MFG.	
1924 COMPTON AVE.	
LOS ANGELES, CA 90011	