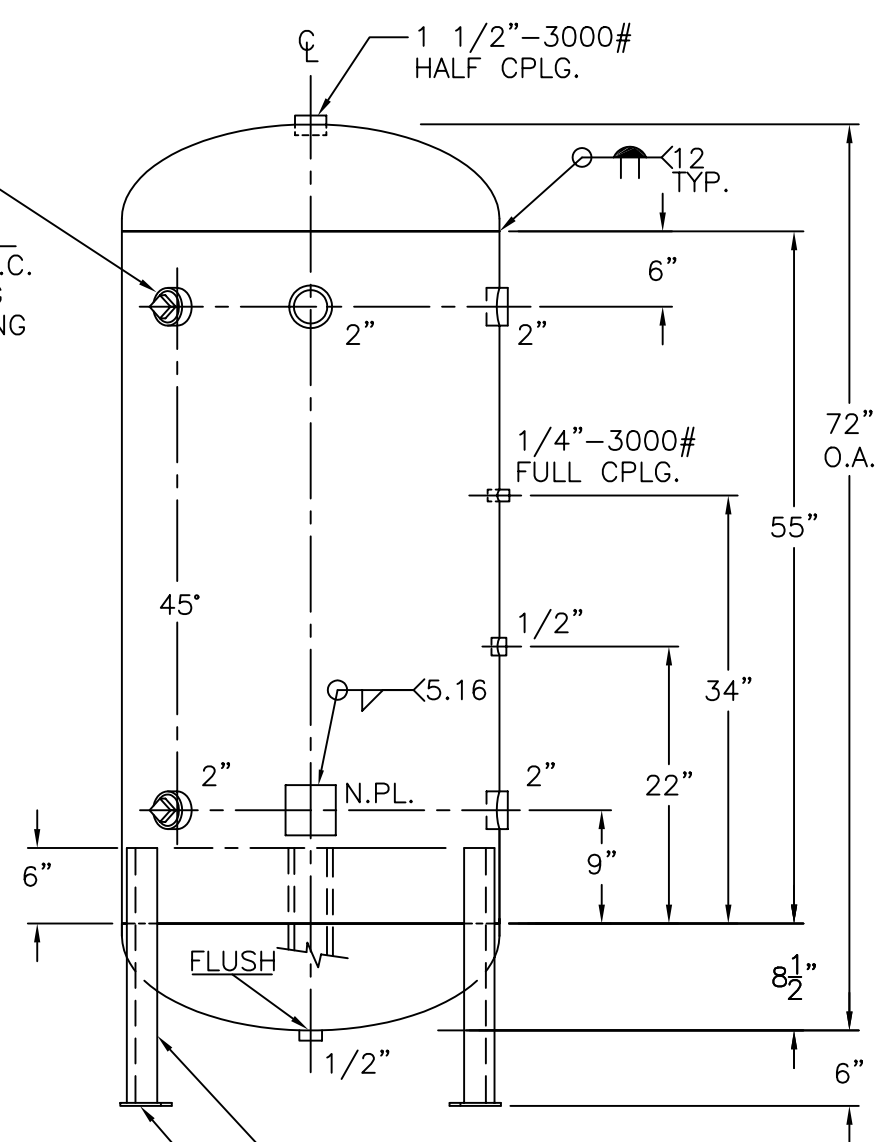


2"-3000# H.C. W/STL. PLUG INSP. OPENING (2) PLC'S

5.2 TYP. EX. DRAIN

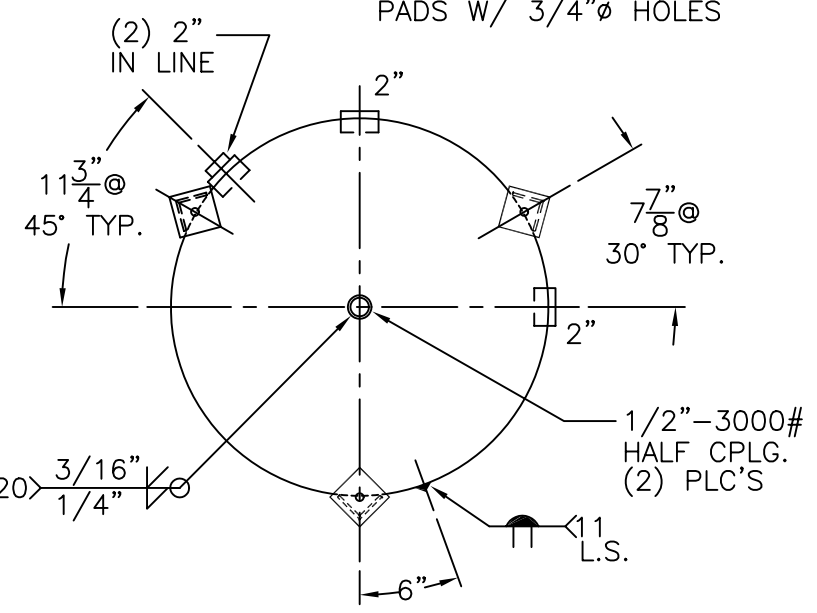


(3) 2 1/2"x 2 1/2"x 3/16" THK. x 20 1/4" LG. ANGLE LEGS

(3) 4"x 4"x 1/4" THK. PADS W/ 3/4" Ø HOLES

NOTE: 1) HYDRO @ 520 PSIG. MIN.

SHELL / HEADS	SA-455 2:1 S.E. (.324" MIN.)
M.A.W.P.	400 PSIG. @ 400 °F
M.D.M.T.	-20 °F @ 400 PSIG.
ASME SECTION VIII	DIV. 1, 2001 ADD 2002
X-RAY: RT-4 SPOT L.S. ONLY	
GALLONS: 200	WT. 735 LBS.
SERIAL NO.	
N.B.	



30-VJ-200-L	REV. 7-22-03
FOR: HANSON STANDARD	DATE: 8-2-96
VERT. AIR TANK	
INSIDE: UNPAINTED	
OUTSIDE: PRIME	
CAD-"B" SIZE UNDER "STD"-SERIES	
LEG SIZE: 4-15 KM.	
BY: J.G.	SCALE: 3/4"=12"
ROY E. HANSON JR. MFG.	
1924 COMPTON AVE.	
LOS ANGELES, CA 90011	