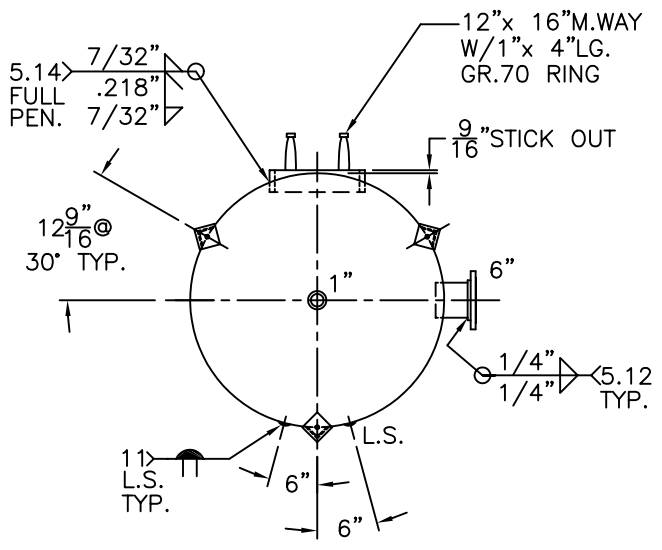


(3) 3" x 3" x 1/4" THK.  
x 25 3/8" LG. ANGLE LEGS

(3) 4" x 4" x 3/8" THK.  
PAD W/ 3/4" Ø HOLE



NOTE: 1) HYDRO @ 215 PSIG. MIN.

SHELL / HEADS		M.A.W.P. 165 PSIG. @ 400 °F	
.245" SA-455 2:1 S.E.		M.D.M.T. -20 °F @ 165 PSIG.	
(2) 16" (MIN.) JOGGLE		ASME SECTION VIII DIV. 1, 2001 ADD 2002	
.218" SA-455		X-RAY: RT-4 SPOT L.S.	
		GALLONS: 1060	
		SERIAL NO. WT. 1710 LBS.	
		N.B.	
INSIDE: UNPAINTED		48-VM-1060-L	
OUTSIDE: PRIME		FOR: HANSON STANDARD	
CAD "B" SIZE UNDER "STD"-SERIES		VERT. AIR TANK	
BY: J.G.		REV. 12-6-02	
SCALE: 1/2" = 12"		DATE: 12-13-79	
ROY E. HANSON JR. MFG.			
1924 COMPTON AVE.			
LOS ANGELES, CA 90011			