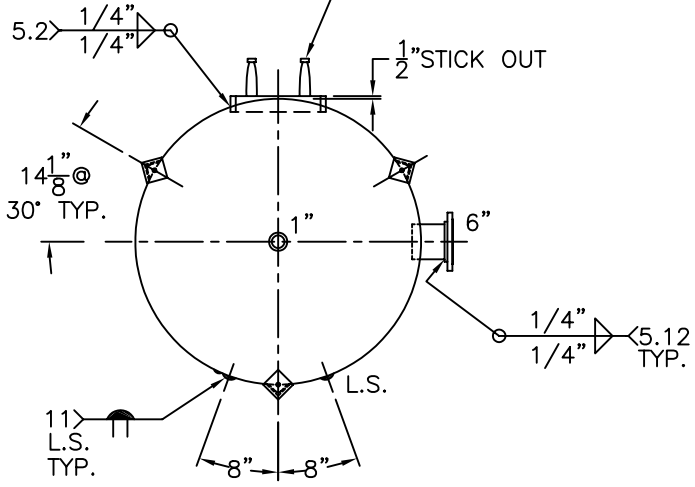


(3) 3" x 3" x 1/4" THK.  
x 26 5/8" LG. ANGLE LEGS

(3) 4" x 4" x 3/8" THK.  
PAD W/3/4"  $\phi$  HOLE

12" x 16" M.WAY  
W/3/4" x 3" LG.  
GR.70 RING



NOTE: 1) HYDRO @ 163 PSIG. MIN.

SHELL / HEADS	
.250" SA-516-70 2:1 S.E.	
JOGGLE	
.225" SA-455	
M.A.W.P. 125 PSIG. @ 400 °F	
M.D.M.T. -20 °F @ 125 PSIG.	
ASME SECTION VIII DIV. 1, 2001 ADD 2002	
X-RAY: RT-NO	
GALLONS: 1550	WT. 2212 LBS.
SERIAL NO.	
N.B.	
54-VG-1550-L	REV. 12-10-02
FOR: HANSON STANDARD	DATE: 3-24-95
VERT. AIR TANK	
INSIDE: UNPAINTED	
OUTSIDE: PRIME	
CAD "B" SIZE UNDER "STD"-SERIES	
BY: J.G.	SCALE: 1/2" = 12"
<b>ROY E. HANSON JR. MFG.</b>	
1924 COMPTON AVE.	
LOS ANGELES, CA 90011	