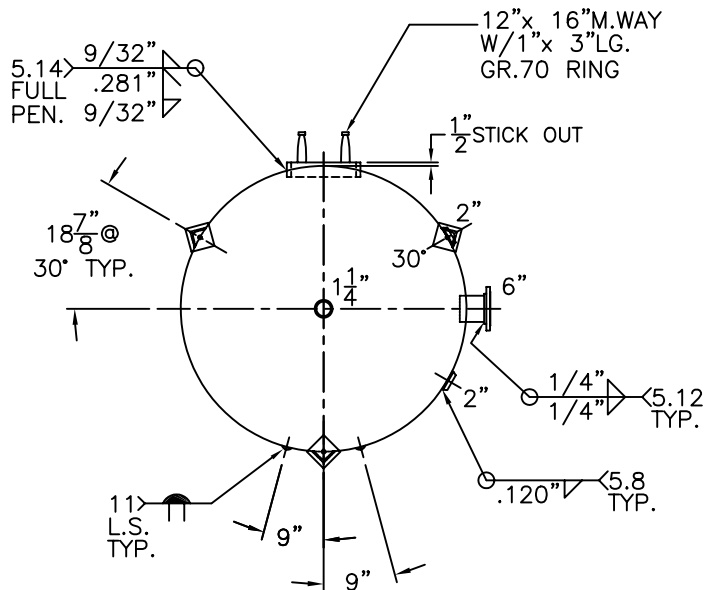


(3) 4" x 4" x 3/8" THK. x 31 1/4" LG. ANGLE LEGS
(3) 6" x 6" x 1/2" THK. PAD W/1" Ø HOLE



NOTE: 1) HYDRO @ 179 PSIG. MIN.

SHELL / HEADS	
.280" SA-455 (230" MIN.)	2:1 S.E.
.281" SA-455	
M.A.W.P. 137 PSIG. @ 400 °F	
M.D.M.T. -20 °F	137 PSIG
ASME SECTION VIII DIV. 1, 2001 ADD 2002	
X-RAY: RT-4 SPOT L.S. & HDS. G.S.	
GALLONS: 3800	WT. 4817 LBS.
SERIAL NO.	
N.B.	
INSIDE: UNPAINTED	
OUTSIDE: PRIME	
CAD "B"-SIZE UNDER "STD"-SERIES	
BY: J.G.	SCALE: 3/8"=12"
ROY E. HANSON JR. MFG.	
1924 COMPTON AVE.	
LOS ANGELES, CA 90011	
72-VQ-3800-L	REV. 12-6-02
FOR: HANSON STANDARD	DATE: 12-29-01
VERT. AIR TANK	