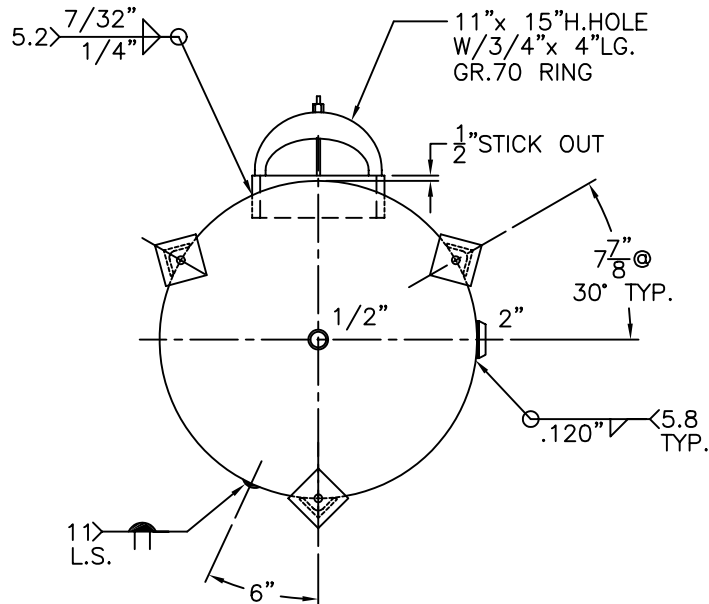


(3) 2 1/2" x 2 1/2" x 3/16" THK. 20" LG. ANGLE LEGS (STOCK LEGS)

(3) 4" x 4" x 1/4" THK. PAD W/ 3/4" Ø HOLE



NOTE: 1) HYDRO @ 260 PSIG. MIN.

SHELL / HEADS	
.166" SA-414-G 2:1 S.E.	
(.164" MIN.) JOGGLED-GREEN STRIPE	
.192" SA-455	
M.A.W.P. 200 PSIG. @ 200 °F	
M.D.M.T. -20 °F @ 200 PSIG.	
ASME SECTION VIII DIV. 1, 2001 ADD 2003	
X-RAY: RT-4 SPOT L.S. NOT G.S.	
GALLONS: 200	WT. 476 LBS.
SERIAL NO.	
N.B.	
INSIDE: EPOXY LINED	
OUTSIDE: PRIME	
CAD-"B" SIZE UNDER "O"-SERIES	
BY: J.G.	SCALE: 1"=12"
<b>ROY E. HANSON JR. MFG.</b>	
1924 COMPTON AVE.	
LOS ANGELES, CA 90011	
0-30-VA-200-L	REV. 6-17-04
FOR: HANSON STANDARD	DATE: 2-20-95
VERT. AIR TANK	
SURFACE AREA = 50.2 SQ. FT.	