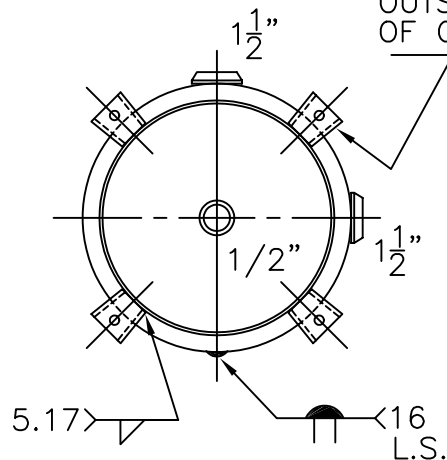


3/16" THK. CLIPS PER
MA-395-B (4) PLC'S
W 9/16" Ø HOLE ON
17 1/8" B.C.; WELD
OUTSIDE VERT. EDGE
OF CLIP ONLY



NOTE: 1) HYDRO @ 325 PSIG. MIN.

SHELL / HEADS	
JOGGLE	.135" SA-414-G 2:1 S.E.
	.140" SA-414-G
M.A.W.P.	250 PSIG. @ 400 °F
M.D.M.T.	-20 °F @ 250 PSIG.
ASME. SECTION VIII	DIV. 1, 2001 ADD 2002
X-RAY:	RT-NO
GALLONS:	30
WT.	95 LBS.
SERIAL NO.	UM#
16-VC-30-R	
FOR: HANSON STANDARD	REV. 6-19-03
VERT. AIR TANK	DATE: 10-13-86
INSIDE: UNPAINTED	
OUTSIDE: PRIME	
BY: J.G.	SCALE: 1"=12"
ROY F. HANSON JR. MFG.	
1924 COMPTON AVE.	
LOS ANGELES, CA 90011	