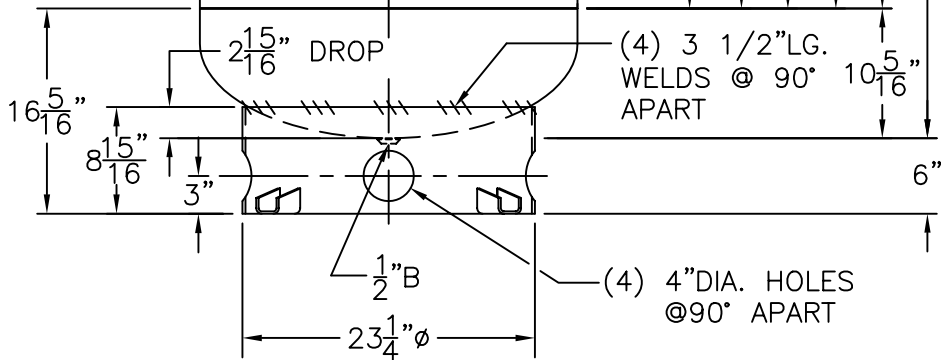
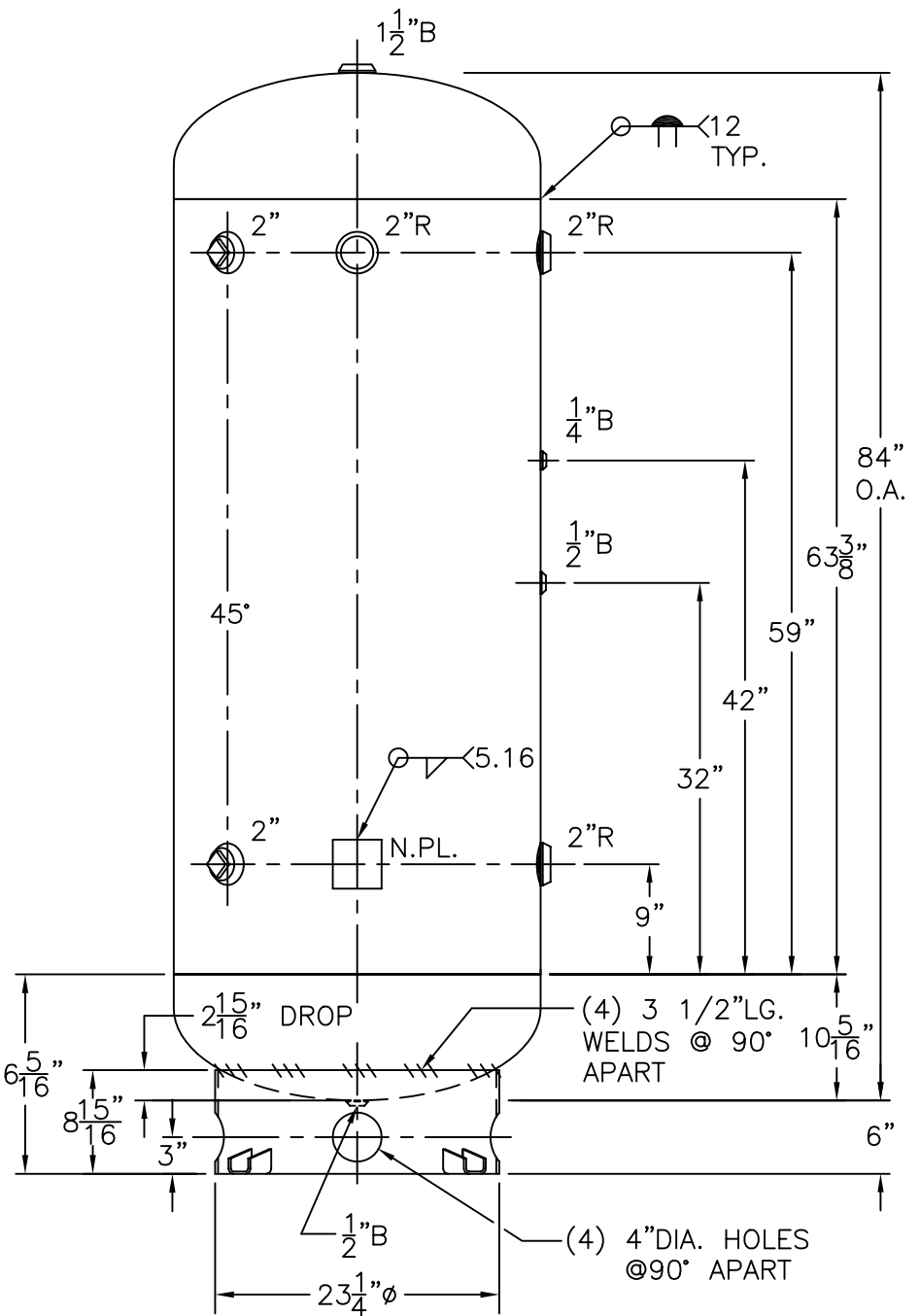
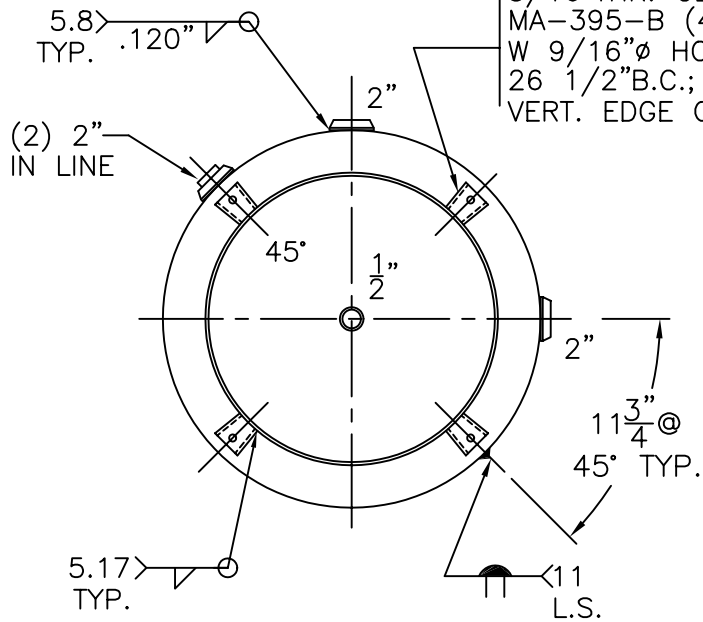


2"R W/ C.I. PLUG
INSP. OPENING
(2) PLC'S.



3/16" THK. CLIPS PER
MA-395-B (4) PLC'S
W 9/16" Ø HOLE ON
26 1/2" B.C.; WELD OUTSIDE
VERT. EDGE OF CLIP ONLY



NOTE: 1) HYDRO @ 325 PSIG. MIN.

SHELL / HEADS	.179" SA-414-G 2:1 S.E.
JOGGLE	
.207" SA-455	
(.205" MIN.)	
M.A.W.P.	250 PSIG. @ 400 °F
M.D.M.T.	-20 °F @ 250 PSIG.
ASME SECTION VIII	DIV. 1, 2001 ADD 2003
X-RAY: RT-4 SPOT L.S. & HDS. G.S.	
GALLONS: 240	WT. 507 LBS.
SERIAL NO.	
N.B.	

30-VC-240-R	REV. 5-19-04
FOR: HANSON STANDARD	DATE: 12-2-86
VERT. AIR TANK	
INSIDE: UNPAINTED	
OUTSIDE: PRIME	
BY: J.G.	SCALE: 3/4"=12"
ROY F. HANSON JR. MFG.	
1924 COMPTON AVE.	
LOS ANGELES, CA 90011	