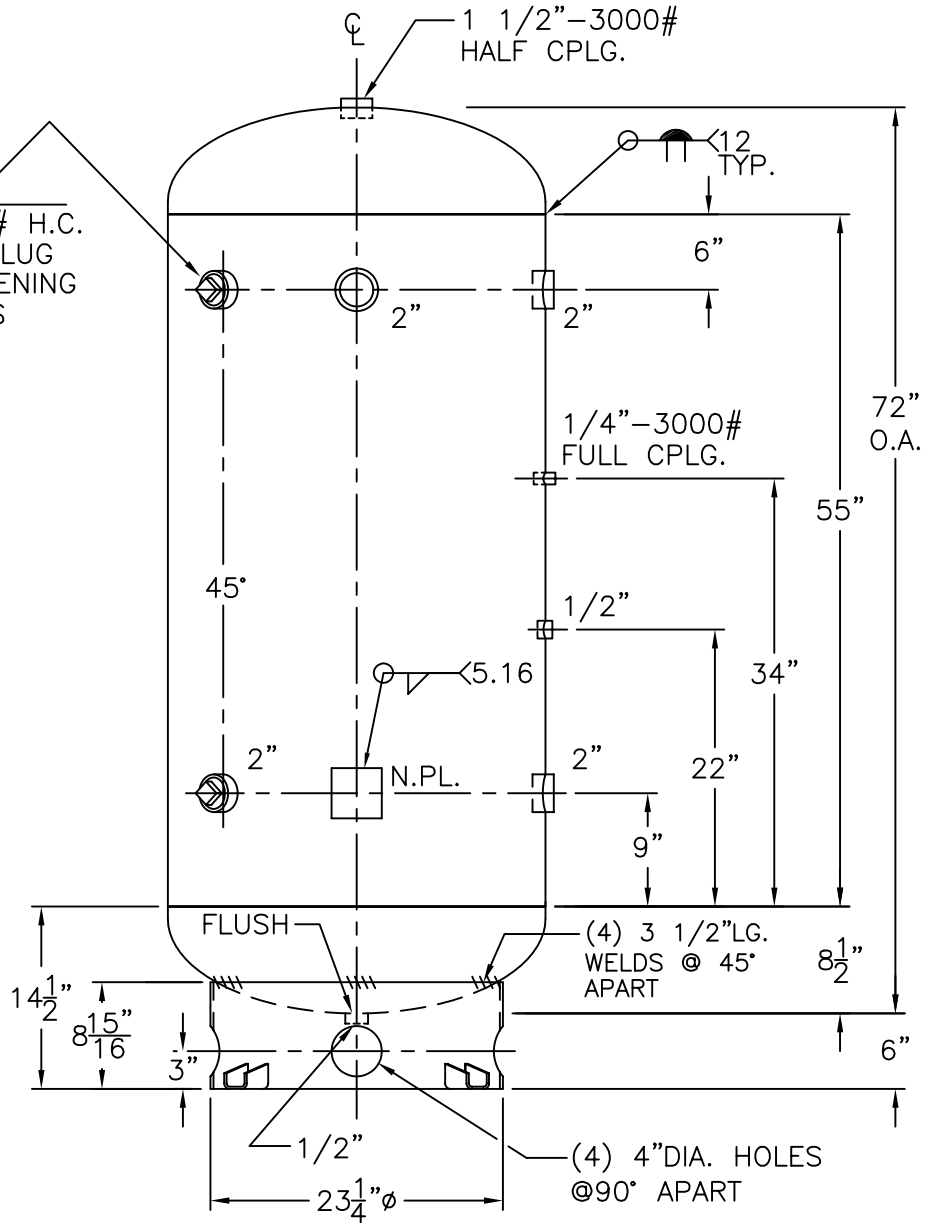


2"-3000# H.C.
W/STL. PLUG
INSP. OPENING
(2) PLC'S

2"-3000#
HALF CPLG.
(3) PLC'S

5.2
TYP.
EX. DRAIN



FLUSH

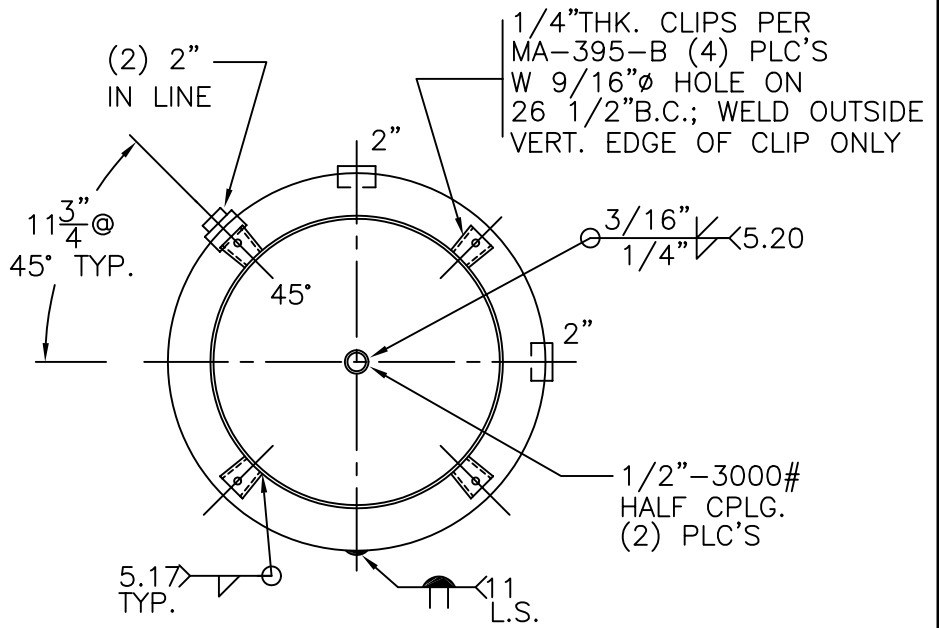
(4) 3 1/2" LG.
WELDS @ 45°
APART

(4) 4" DIA. HOLES
@ 90° APART

SHELL / HEADS		SA-455 2:1 S.E.
		(.324" MIN.)
		.337" SA-455
M.A.W.P.	400 PSIG. @ 400 °F	
M.D.M.T.	-20 °F @ 400 PSIG.	
ASME SECTION VIII	DIV. 1, 2001 ADD 2002	
X-RAY: RT-4 SPOT L.S. ONLY		
GALLONS: 200	WT. 747 LBS.	
SERIAL NO.		
N.B.		

NOTE: 1) HYDRO @ 520 PSIG. MIN.

30-VJ-200-R		REV. 7-22-03
FOR: HANSON STANDARD		DATE: 3-24-99
VERT. AIR TANK		
INSIDE: UNPAINTED		
OUTSIDE: PRIME		
CAD-"B" SIZE UNDER "STD"-SERIES		
BY: J.G.	SCALE: 3/4"=12"	
ROY F. HANSON JR. MFG.		
1924 COMPTON AVE.		
LOS ANGELES, CA 90011		



1/4" THK. CLIPS PER
MA-395-B (4) PLC'S
W 9/16" Ø HOLE ON
26 1/2" B.C.; WELD OUTSIDE
VERT. EDGE OF CLIP ONLY

1/2"-3000#
HALF CPLG.
(2) PLC'S

5.17
TYP.

11
L.S.