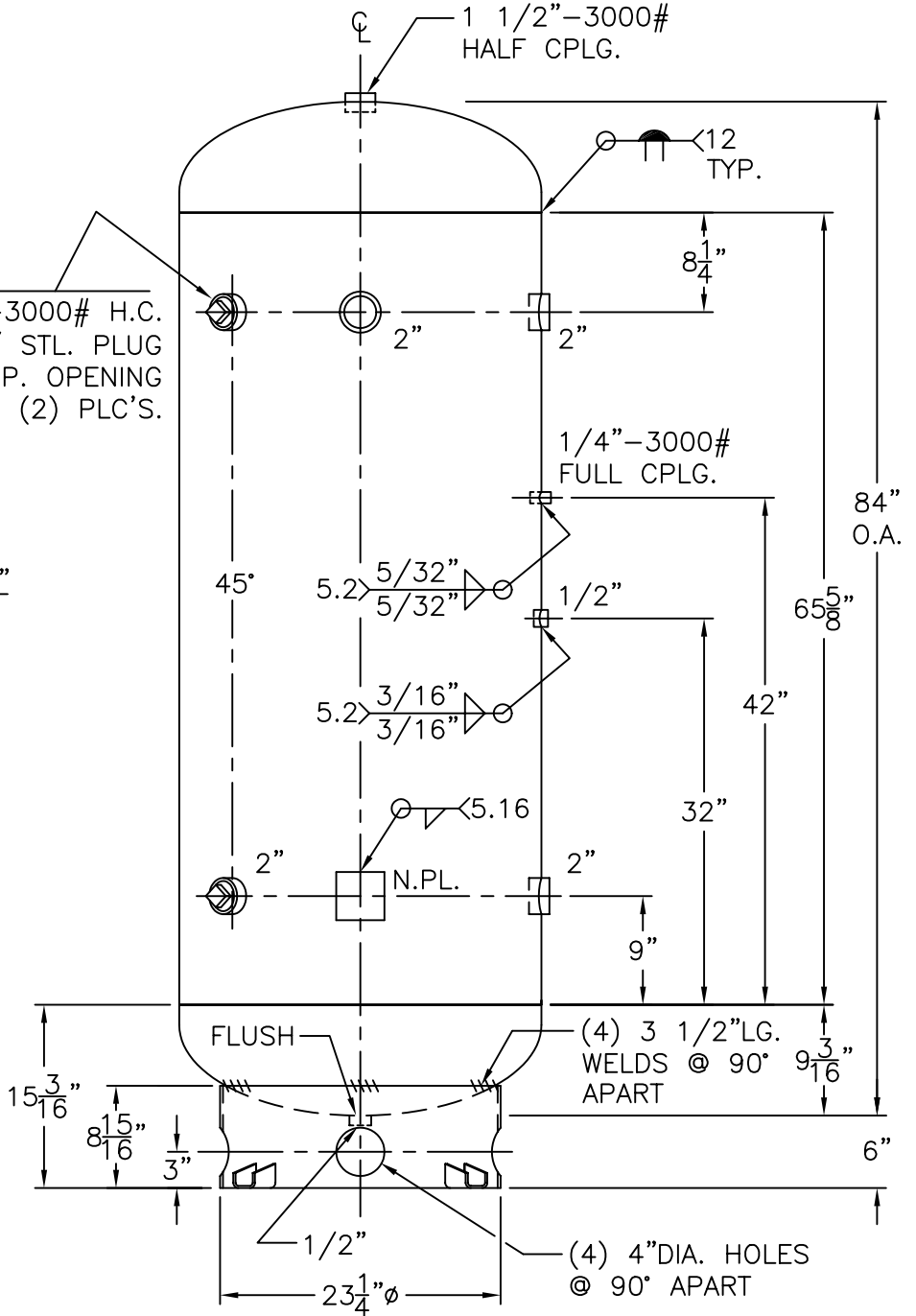


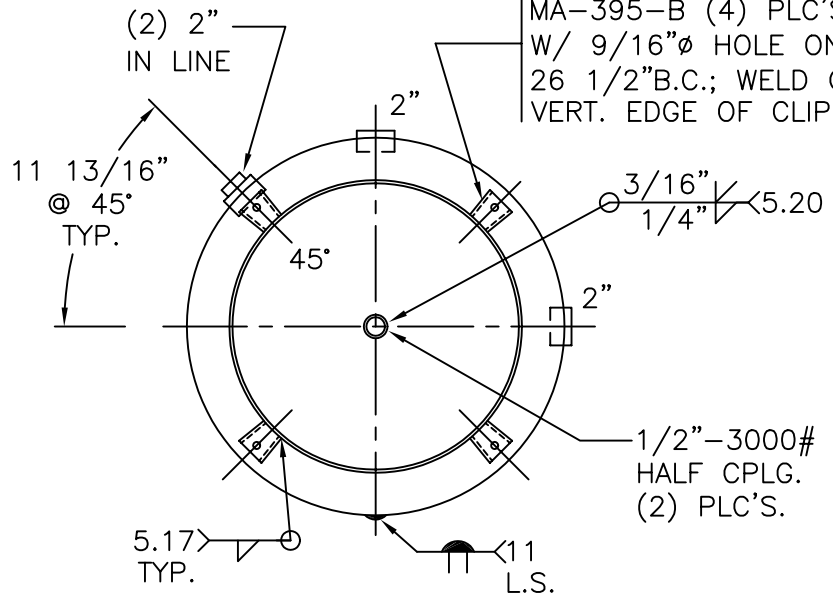
2"-3000# H.C. W/ STL. PLUG INSP. OPENING (2) PLC'S.



NOTE: 1) HYDRO @ 522 PSIG. MIN.

SHELL / HEADS	
.278" MIN. SA-455	2:1 S.E.
JOGGLE (.279" OFFSET)	
.337" SA-455	
M.A.W.P.	400 PSIG. @ 400 °F
M.D.M.T.	-20 °F @ 400 PSIG.
ASME SECTION VIII	DIV. 1, 2004 ADD 2004
X-RAY: RT-4 SPOT L.S. & HDS. G.S.	
GALLONS: 240	WT. 884 LBS.
SERIAL NO.	
N.B.	

1/4" THK. CLIPS PER MA-395-B (4) PLC'S. W/ 9/16" ø HOLE ON 26 1/2" B.C.; WELD OUTSIDE VERT. EDGE OF CLIP ONLY



30-VJ-240-R	REV. 5-18-05
FOR: HANSON STANDARD	DATE: 3-24-99
VERT. AIR TANK	
INSIDE: UNPAINTED	
OUTSIDE: PRIME	
CAD-"A" SIZE UNDER "STD"-SERIES	
BY: E.S.	SCALE: 3/4"=12"
ROY F. HANSON JR. MFG.	
1924 COMPTON AVE.	
LOS ANGELES, CA 90011	