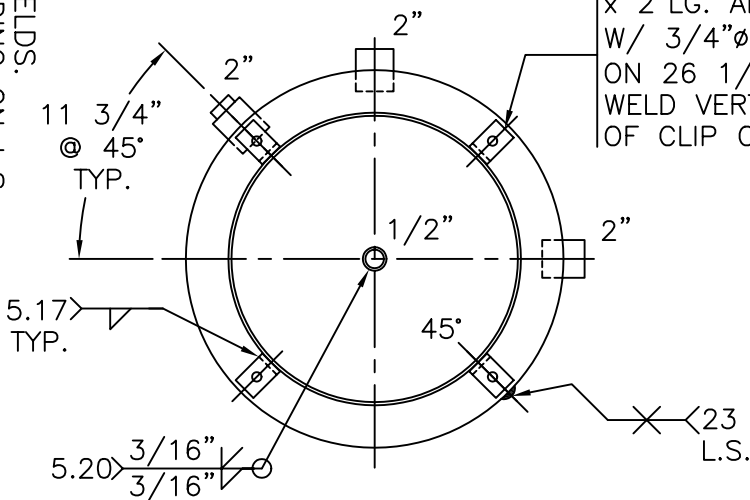


(4) 3" x 3" x 3/8" THK. x 2" LG. ANGLE CLIPS W/ 3/4" ϕ HOLES ON 26 1/2" ϕ B.C. WELD VERT. EDGE OF CLIP ONLY

NOTE: 1) HYDRO @ 1430 PSIG. MIN.
 2) PRE-HEAT TO 350° BEFORE WELDING ON L.S.
 3) PRE-HEAT TO 150° ON STICK WELDS.



SHELL / HEADS	
.875" SA-516-70	2:1 S.E.
(.808" MIN.)	
1.000" SA-516-70	
M.A.W.P. 1100 PSIG. @ 400 °F	
M.D.M.T. -20 °F @ 1100 PSIG.	
ASME SECTION VIII DIV. 1, 2001 ADD 2002	
X-RAY: RT-4 SPOT L.S. & G.S.	
GALLONS: 240	WT. 2658 LBS.
SERIAL NO.	
N.B.	

30-VY-240-R	REV. 10-3-03
FOR: HANSON STANDARD	DATE: 7-8-85
VERT. AIR TANK	
INSIDE: UNPAINTED	
OUTSIDE: PRIME	
BY: E.S.	SCALE: 3/4"=12"
ROY F. HANSON JR. MFG.	
1924 COMPTON AVE.	
LOS ANGELES, CA 90011	