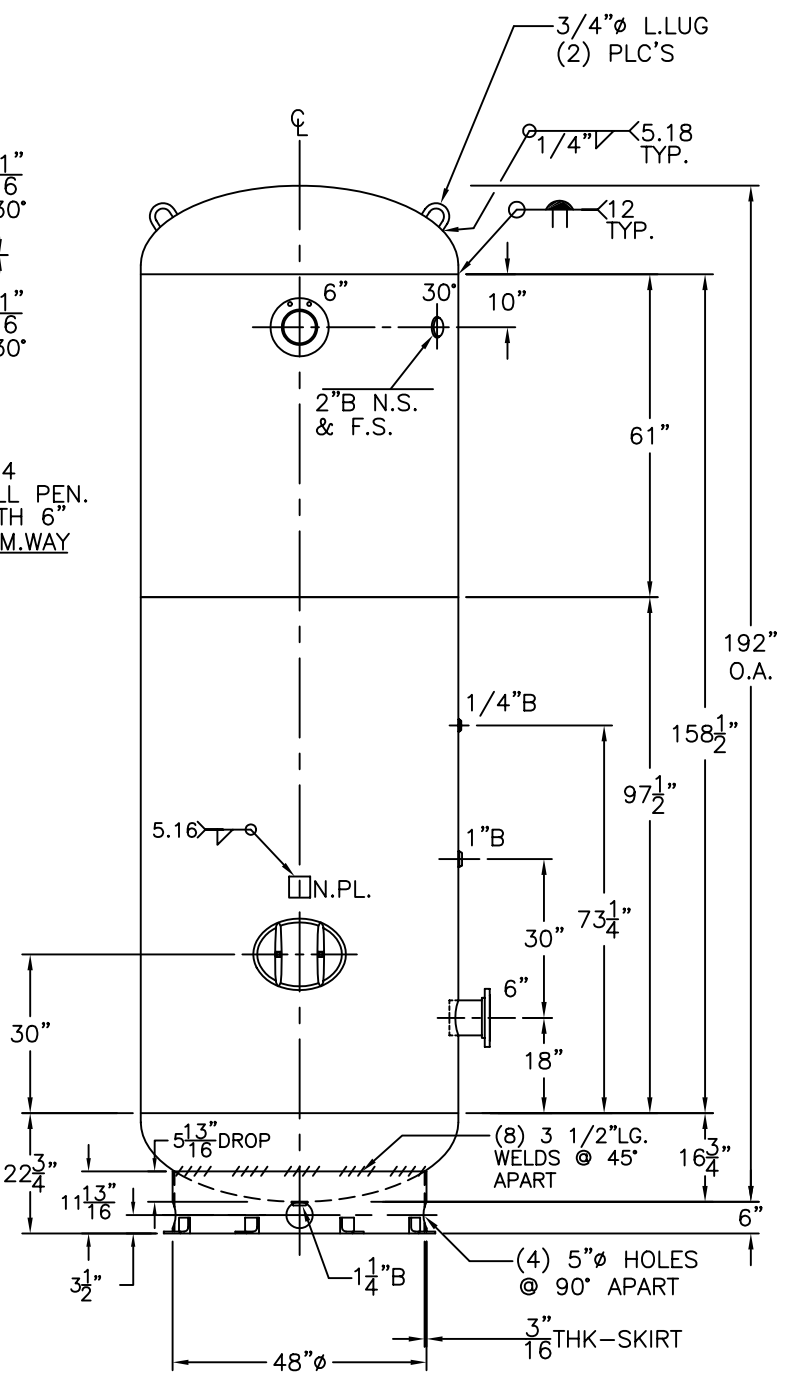
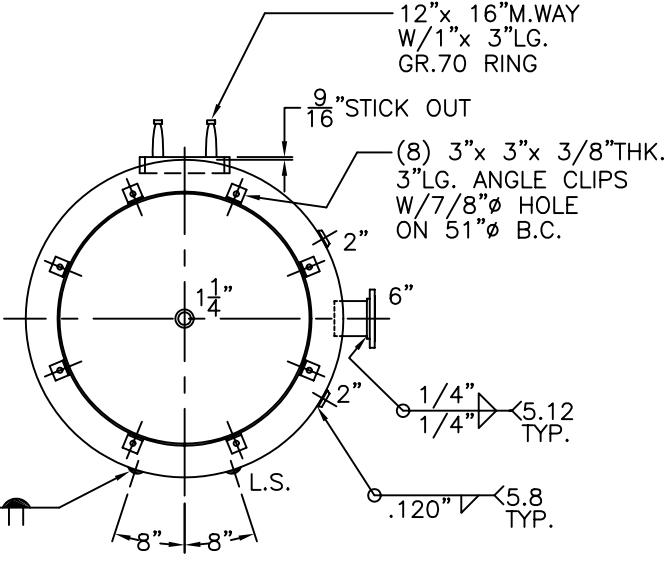


6"-150# R.F.S.O. FLG. W/SCH 80 PIPE x 7 5/8" LG. (2) PLC'S



NOTE: 1) HYDRO @ 195 PSIG. MIN.

SHELL / HEADS	
M.A.W.P.	150 PSIG. @ 400 °F
M.D.M.T.	-20 °F @ 150 PSIG.
ASME SECTION VIII	DIV. 1, 2004 ADD 2004
X-RAY: RT-4 SPOT L.S. ONLY	
GALLONS:	2180
SERIAL NO.	WT. 3173 LBS.
N.B.	
	.288" SA-455 2:1 S.E. (.249" MIN.)
	.250" SA-455



60-VP-2180-R	REV. 1-14-05
FOR: HANSON STANDARD	DATE: 10-14-99
VERT. AIR TANK	
INSIDE: UNPAINTED	
OUTSIDE: PRIME	
CAD "B" SIZE UNDER "STD"-SERIES	
BY: J.G.	SCALE: 1/2" = 12"
ROY E. HANSON JR. MFG.	
1924 COMPTON AVE.	
LOS ANGELES, CA 90011	