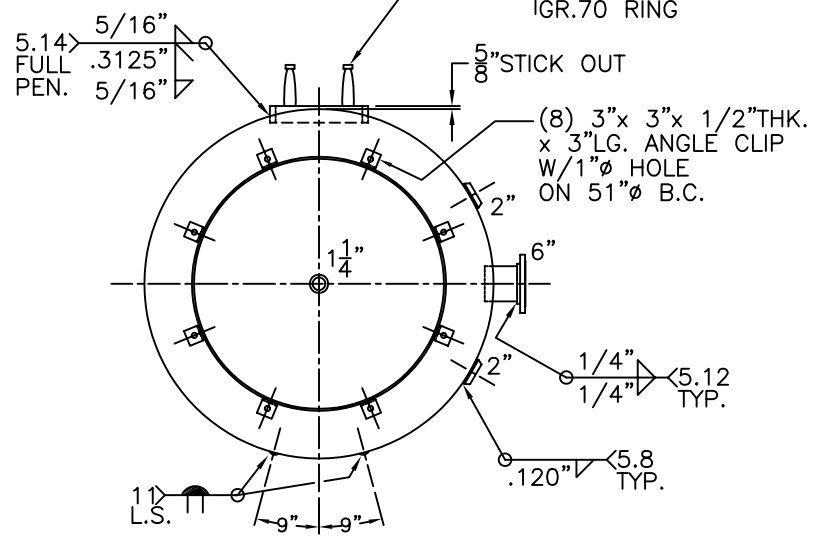
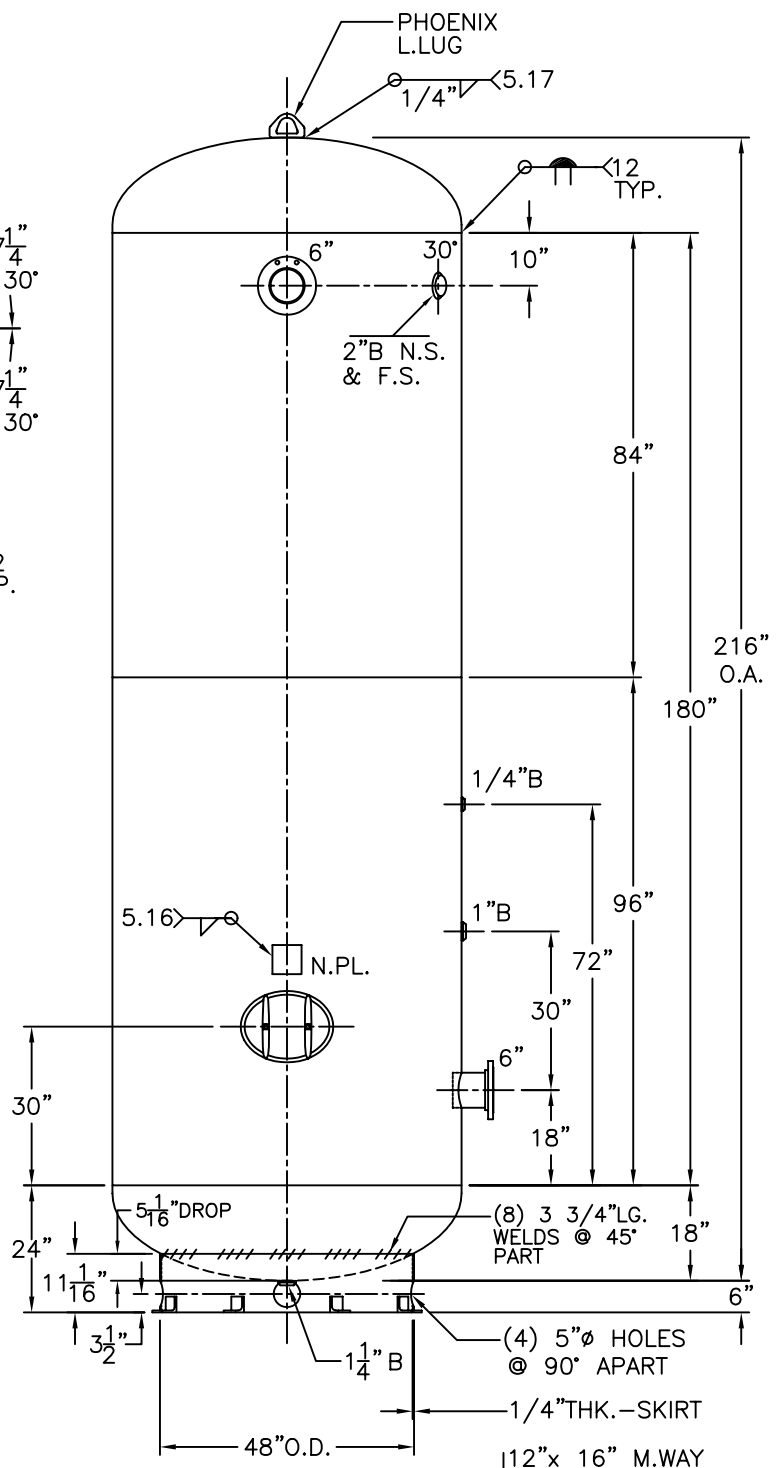


6" - 150# R.F.S.O.
 FLG. W/SCH 80
 PIPE x 7 5/8" LG.
 (2) PLC'S



NOTE: 1) HYDRO @ 215 PSIG. MIN.

SHELL / HEADS		.337" SA-455 2:1 S.E. (.253" MIN.)	
M.A.W.P.	165 PSIG. @ 400 °F	M.D.M.T.	-20 °F
ASME SECTION VIII	DIV. 1, 2001	X-RAY:	RT-4 SPOT L.S. & HDS. G.S.
GALLONS:	3000	WT.	4712 LBS.
SERIAL NO.			
INSIDE: EPOXY LINED		REDR. 66-VM-3000-R	
OUTSIDE: EPOXY		EPOXY	
ORIGINAL IS "B" SIZE		DATE: 3/14/02	
BY: J.G.		SCALE: 1/2" = 12"	
VERT. AIR TANK		FOR: HANSON STANDARD	
		ROY E. HANSON JR. MFG.	
		1924 COMPTON AVE.	
		LOS ANGELES, CA 90011	